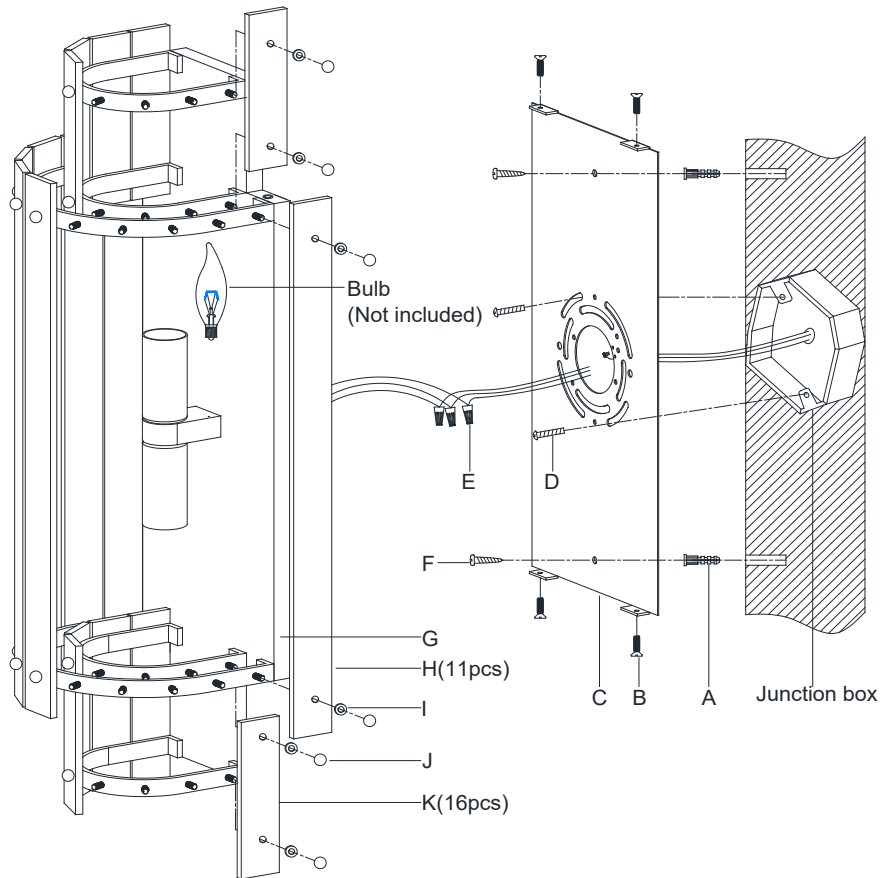


ASSEMBLY INSTRUCTIONS



Cadence Large Tiered Sconce

Item # S 2651

WE RECOMMEND INSTALLATION OF THIS LIGHTING FIXTURE BE DONE BY A LICENSED ELECTRICIAN.

WARNING*SWITCH OFF THE MAIN ELECTRICAL SUPPLY FROM THE MAIN FUSE BOX/CIRCUIT BREAKER BEFORE INSTALLATION.**

INSPECT ITEM CAREFULLY BEFORE ATTEMPTING TO INSTALL. IF THERE IS ANY DAMAGE OR OBVIOUS DEFECT. DO NOT INSTALL.

ITEM MAY NOT BE RETURNED ONCE IT HAS BEEN INSTALLED.

NOTE: CAREFULLY UNPACK EACH PIECE IN TOP LAYER OF PACKING PRIOR TO REMOVING. RETAIN ALL PACKING MATERIAL UNTIL INSPECTION AND INSTALLATION ARE FINAL.

1. Carefully remove all parts from the box.
2. Remove the mounting plate (C) from the fixture body (G) by loosening the side screws (B).
3. Put the mounting plate (C) on the wall and mark the holes position with pencil (not included).
4. Drill 2 holes on the wall and knock the anchors (A) into the holes.
5. Affix the mounting plate (C) onto the junction box and secure with the mounting screws (D), then secure the wood screws (F) to the anchors (A) and lock tight.
6. Wrap the fixture ground wire to the green ground screw on the mounting plate (C) and secure, then connect to the junction box ground wire with the wire nut (E).
IT IS IMPERATIVE THAT THIS FIXTURE BE GROUNDED.
7. Connect the fixture white wire to the junction box neutral wire with the wire nut (E).
8. Connect the fixture black wire to the junction box hot wire with the wire nut (E).
DO NOT REVERSE THE HOT AND NEUTRAL CONNECTIONS OTHERWISE SAFETY WILL BE COMPROMISED.
9. Attach the fixture body (G) onto the mounting plate (C) and secure with the side screws (B).
10. Insert bulbs (not included) into the sockets.
11. Attach the shorter glass panels (K) to the inner ring on the top and bottom fixture body, then secure with the rubber washer (I) and the ball nuts (J).
12. Attach the longer glass panels (H) to the outer ring on the fixture body, then secure with the rubber washer (I) and the ball nuts (J).
DO NOT OVER-TIGHTEN BALL NUTS, OTHERWISE GLASS COULD BECOME DAMAGED.
13. Installation is complete, turn on power at fuse or circuit breaker.

***Clean with a dry, soft cloth only. Use no harsh abrasives or chemical agents.



VISUAL COMFORT & Co.