



PROJECT: TYPE:

LOCATION: CAT:



Description

Trulux radio frequency receiver for use with the Trulux App or Trulux RF controllers.

Features

- Receives Radio Frequency and WiFi signals
- Multiple receivers can be 'taught' to respond to one Trulux controller using the built-in learning key
- Requires 12-36V DC input (LED-DR series recommended, sold separately) and Trulux radio frequency controller (also sold separately) or Trulux App (downloadable) for operation

Mounting

Surface mount to hard surface

Applications

Receiver for Radio Frequency signal from Trulux RF controller (sold separately)

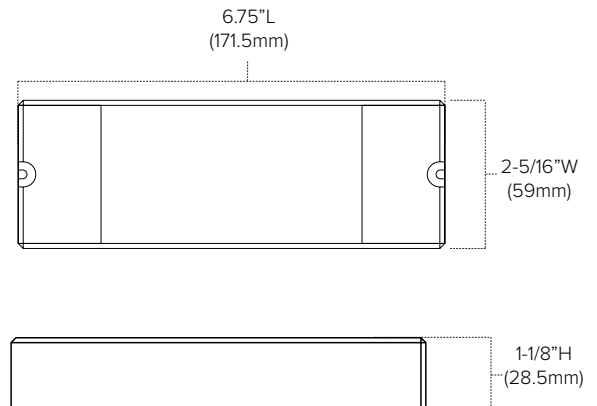
Technical Information



Input Voltage	12-36V DC - Constant Voltage
Input Current	32.5A maximum
Output Wattage	4 channels x (96-288)W
Output Current	4 channels x 8A
Temperature Range	-20°C to 50°C
Rating	FCC Compliant, RoHS Compliant, dry location

Receiver can be powered from secondary side of driver being used to power the controller and/or fixture.

Dimensions



Ordering Information

Trulux RF + WiFi Receiver



REC-5A-4Z-WiFi includes:

(1) Trulux RF + WiFi Receiver
(requires 12-36V power supply, sold separately)

Example Part # **REC-DMX-5A-4Z-WiFi**

