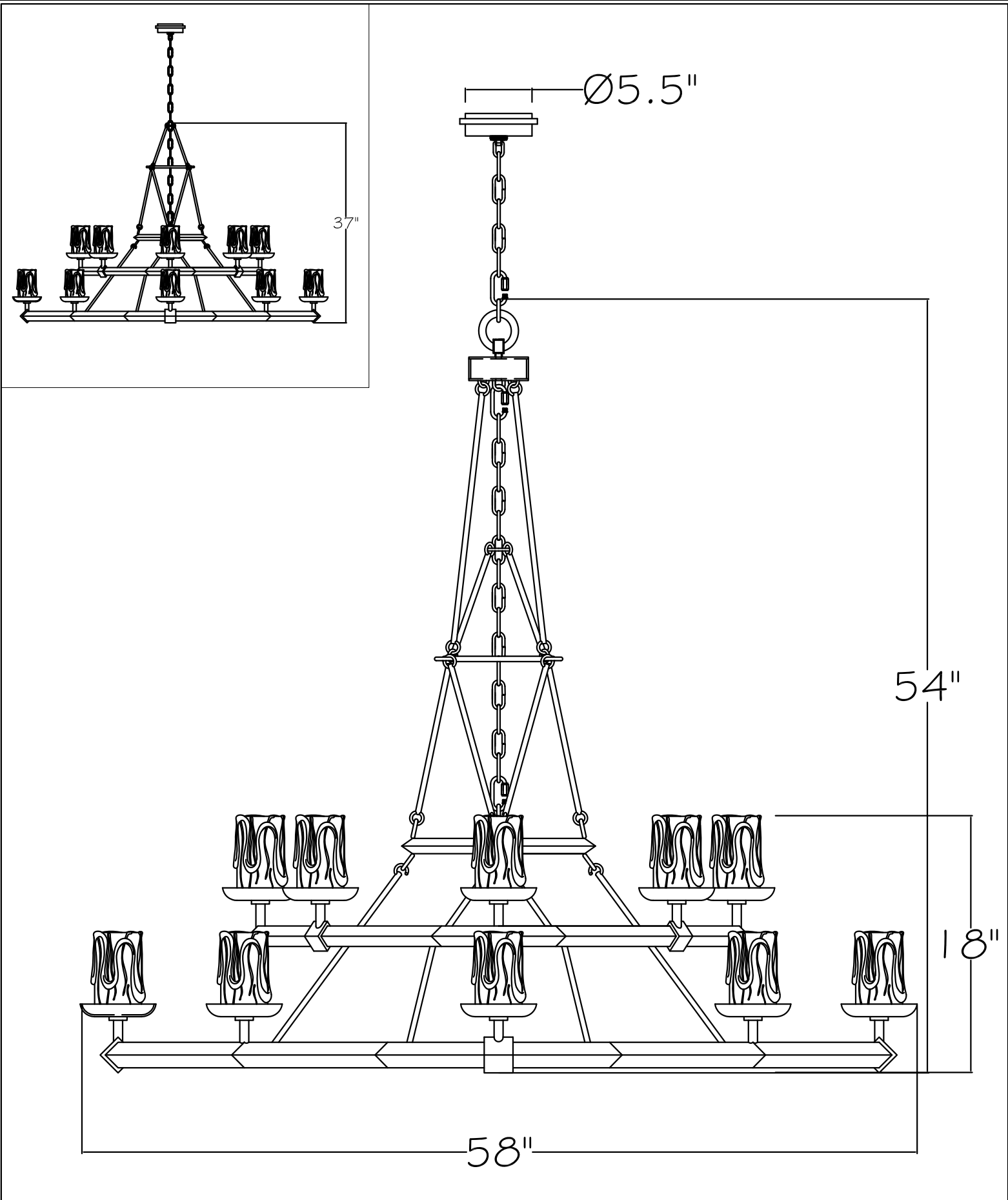


CUSTOMER REFERENCE DRAWING



This drawing, specifications and the product depicted are the exclusive property of Fine Art Handcrafted Lighting®. In compliance with US copyright and patent requirements, notice is hereby given that this document and the product depicted shall not be copied, altered or used in any manner without the expressed written consent of Fine Art Handcrafted Lighting®.

www.finearthl.com

Tel:(305) 821-3850  
FINE ART LAMPS®

Fax:(305) 513-5736

STYLE NUMBER:

860540

DATE:

7/10/13

# CUSTOMER INSTALLATION INSTRUCTIONS FOR 860540

REV.	ECN # IF APPLIC.	REVISION DESCRIPTION	REQD. BY	DRAFTER	DATE
A	NA	ORIGINAL RELEASED VERSION	NA	MAR	03/11/13

**CAUTION:**

READ INSTRUCTION CAREFULLY AND TURN ELECTRICITY OFF AT MAIN CIRCUIT BREAKER PANEL BEFORE BEGINNING INSTALLATION. THIS FIXTURE IS INTENDED FOR INDOOR USE ONLY- DRY LOCATION. FIXTURE SHALL BE INSTALLED BY A QUALIFIED ELECTRICIAN. DO NOT TOUCH LIGHT BULB WHEN IT IS "ON". WHEN REPLACING LIGHT BULBS TURN OFF ELECTRICAL POWER, AND WAIT 10 MINUTES FOR BULBS TO COOL DOWN.

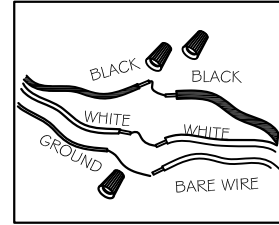
**WARNING:**

THIS FIXTURE CAN BE USED WITH MOST COMMON DIMMERS IN THE MARKET, SUCH AS FORWARD PHASE CONTROL. IF ANY SPECIAL CONTROL DEVICES ARE USED WITH THIS FIXTURE, FOLLOW THE MANUFACTURERS INSTRUCTIONS OF THE DEVICE CAREFULLY TO ENSURE FULL COMPLIANCE WITH N.E.C. REQUIREMENTS. DO NOT HOLD OR PUSH ON ANY CRYSTAL PARTS OF THE FIXTURE.

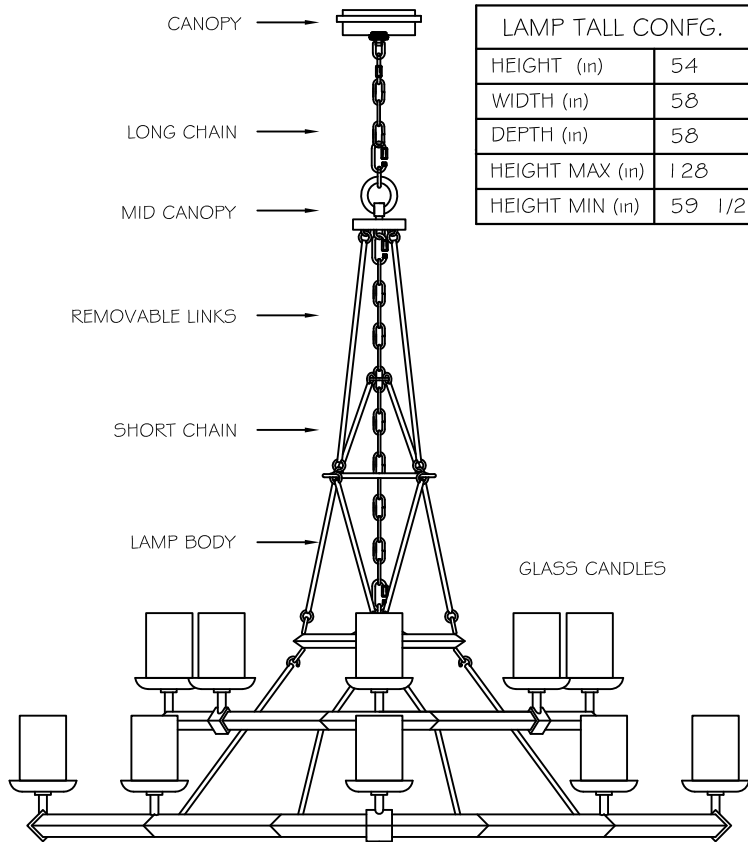
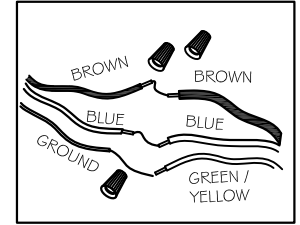
MOUNTING FIXTURE .

1. INSTALL THE INDEPENDENT SUPPORT CABLE AS PER INSTRUCTION 00791012.
2. MAKE ELECTRICAL CONNECTION AS PER ILLUSTRATION BELOW.  
NOTE: CABLE MUST BE ROUTED TROUGH THE CHAIN.

DOMESTIC

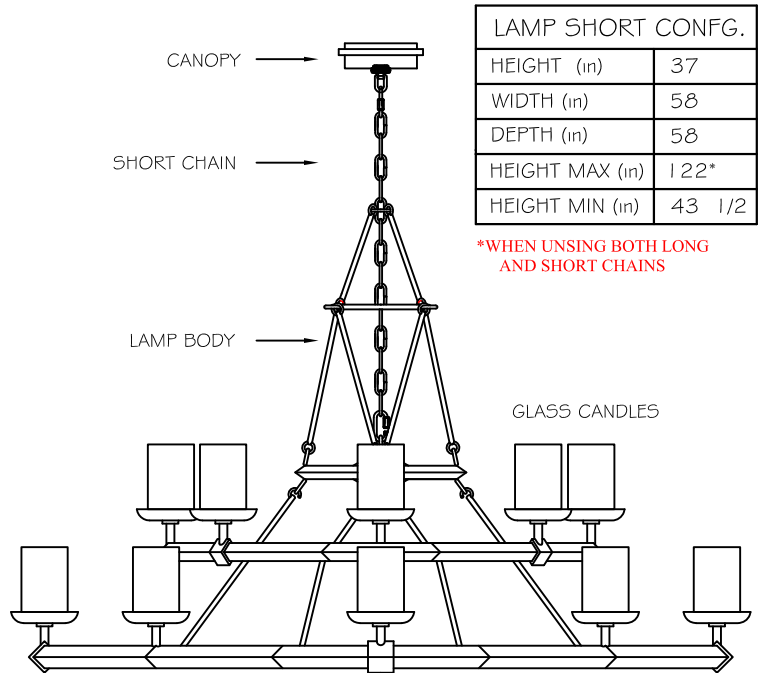


INTERNATIONAL



LAMP TALL CONFIG.	
HEIGHT (in)	54
WIDTH (in)	58
DEPTH (in)	58
HEIGHT MAX (in)	128
HEIGHT MIN (in)	59 1/2

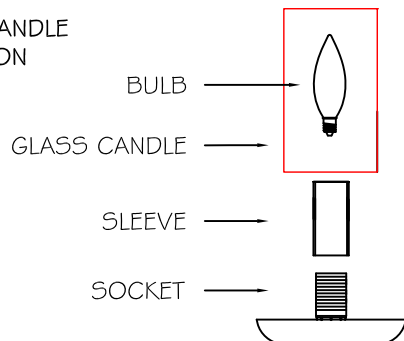
## LAMP INSTALLATION WITHOUT REMOVABLE LINKS AND INTERMEDIATE CANOPY



LAMP SHORT CONFIG.	
HEIGHT (in)	37
WIDTH (in)	58
DEPTH (in)	58
HEIGHT MAX (in)	122*
HEIGHT MIN (in)	43 1/2

\*WHEN UNSING BOTH LONG AND SHORT CHAINS

CRYSTAL CANDLE INSTALLATION



This drawing and specifications are the exclusive property of BLUMBERG INDUSTRIES, INC. issued in strict confidence and shall not, without the prior written permission of BLUMBERG INDUSTRIES, INC., be produced, copied or used for any purpose whatsoever except the manufacture articles for FINE ART LAMPS.

5770-5772 Miami Lakes Dr. East / Miami Lakes, FL 33014  
Ph: (305) 821-3850 FAX: (305) 821-1564

STYLE NUMBER: 860540

PART NUMBER: 00791014